

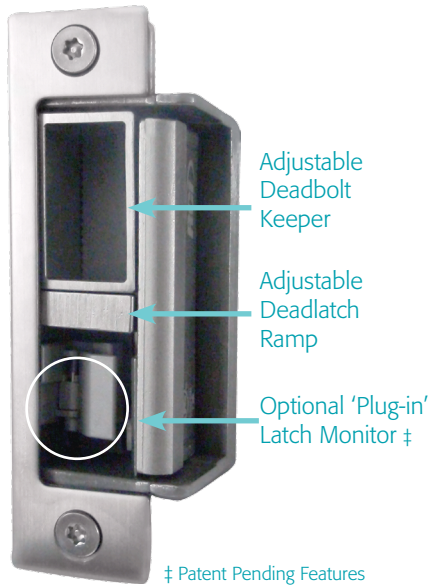


Dimensions

ANSI 1-1/4"W x 4-7/8"L
(31.8mm x 123.0mm)

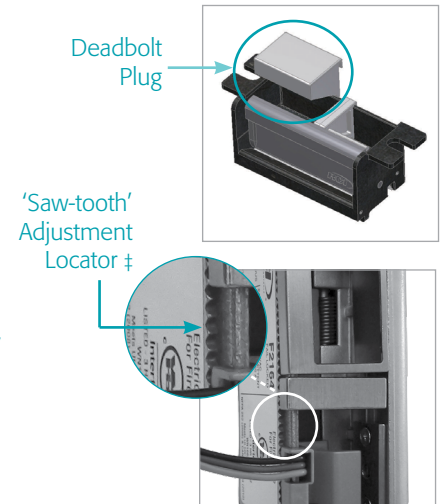
Features

- Modular design allows compatibility with most locks without having to order special faceplates
- Adjustable deadbolt keeper and deadlatch ramp
- Heavy-duty stainless steel construction with 32D finish (Brushed stainless steel)
- Up to 1500 lbs (680 kg) holding force
- Fits HES 1006 (1003) frame cutout
- Accommodates 3/4" latch projection
- Faceplate and screws included for centerline latch entry
- Unique sliding shim design for up to 1/8" (3mm) horizontal adjustment for misaligned frames ‡
- Vertical Adjustability of strike for precise positioning of lockset
- Accommodates up to 1" deadbolt (Night-latch function only, bolt will not release)
- Field selectable voltage input – Accommodates 12 or 24VDC and 12 to 24VAC
- Anti-tamper security screws
- Hex and security driver bit included
- Optional "Plug in" Latch Monitor kit
- Low current draw (0.19 Amps @24VDC)
- "Cool Keeper" Solenoid design prevents keeper from heating up
- Plug-in wire connector
- Trim plate included
- Adhesive paper template included
- Non-handed
- 5 Year Limited Warranty
- **Fail unlocked version available (non-fire rated)**



‡ Patent Pending Features

In or Out... we make it Easy!®



F2164 Fire Rated & 2364 Non-Fire Rated Offset & Centerline Latch Entry

Now available in Fail unlocked, these unique, versatile, "all-in-one", electric strikes combine strength, (1500 lbs holding force) and convenience, (everything you need is in the box) in an attractive, sleek, easy to install design.

What makes these strikes unique is the "Saw-tooth Adjustment Locator" design that allows the installer to move the deadbolt keeper, or deadlatch ramp vertically to align with a wide variety of mortise locks with offset latches. There's no need to order special faceplates, you can adjust the strike to work with any mortise lock. Everything you need is in the box, including a faceplate for centerline latch entry.

We make installation **easy**. Our unique sliding shim design adjusts vertically on the keeper to align with any latch location to give you up to 1/8" horizontal adjustment. We also include a trim plate for messy frame cuts, a hands-free adhesive template - all the drivers you need to install the strike.

Our unique "plug-in" latch monitor switch option can be added in the field if you decide monitoring is required after installation. Don't buy another strike...

Just order the F2LM and plug it in!

Certifications & Testing

- Listed to UL 10C, 3 hour fire-rated (F2164 - fail locked only)
- Listed to UL 1034, burglary-resistant listed
- Factory tested to meet ANSI/BHMA 156.31 for strength and endurance
- Factory tested to exceed 2,000,000 cycles



F2164/2364



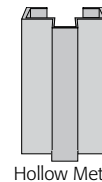
F2164

Accessories

F2LM – Latch Monitor Kit

The Latch Monitor Module has a SPDT switch. This module can be mounted anywhere in the strike cavity to correspond to Latch position. Note: F2LM is rated at 2 Amps @ 24VDC

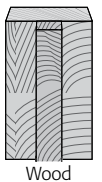
Frame & Lock Type



Hollow Metal



Aluminum



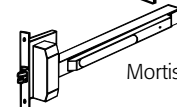
Wood



Cylindrical



Mortise



Mortise Exit Device



RUTHERFORD CONTROLS
A DORMA Group Company

In or Out... we make it Easy!®

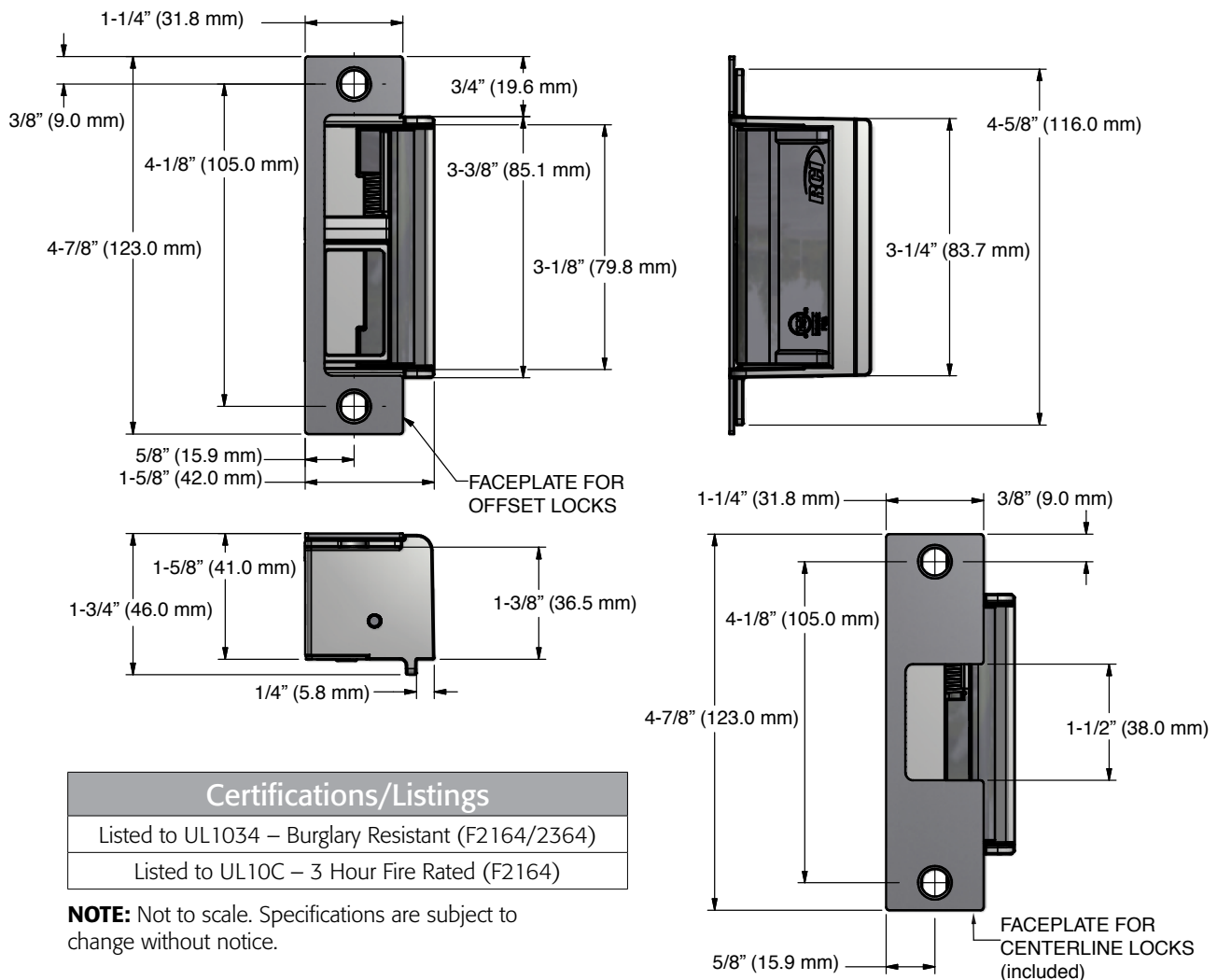
Technical Specifications						
Model	Mode	Voltage	Duty	Sound	Amps*	Ohms†
F2164 2364	Fail Locked Fail Unlocked	12 VDC	Continuous	Silent	.375	37
F2164 2364	Fail Locked Fail Unlocked	24 VDC	Continuous	Silent	.190	148
F2164	Fail Locked	12-24 VAC	Intermittent	Buzz	.280 - .565	37

Intermittent Duty = Energized less than 1 min. with Duty Ratio 1:5

Continuous Duty = Energized 1 min. or more

* Ratings are based on maximum current draw at +10°C and include initial power-up current draw.

† Nominal resistance at +25°C ± 7% tolerance.



Certifications/Listings

Listed to UL1034 – Burglary Resistant (F2164/2364)

Listed to UL10C – 3 Hour Fire Rated (F2164)

NOTE: Not to scale. Specifications are subject to change without notice.

RCI also offers a complete line of Electromagnetic Locks, Electric Locks, Power Supplies, Switches, Keypads & Readers, Exit Devices, Systems & Door Hardware.